



NT803 Super Swivels

**Serving The Nuclear Industry**



[www.thorburnflex.com](http://www.thorburnflex.com)



## High Quality Custom Flexible Piping Systems

Thorburn Flex Inc is a proven industry leader in the cost effective design, development, manufacturing and supply of ultra-high quality custom flexible piping systems. Thorburn Flex Inc is committed to a policy of continuous development and research to provide flexible piping products that set the industry standard for quality, safety, durability and ease of handling.



## NT803 Heavy Duty Hydraulic Rebuildable Live Swivels

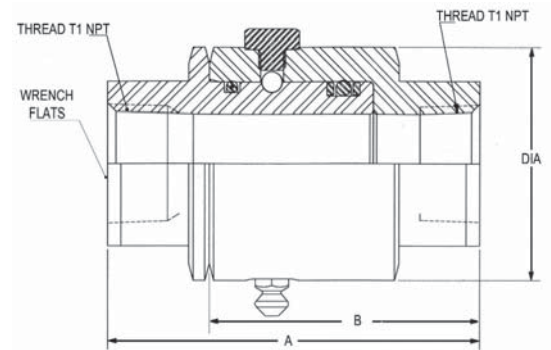
### Product Description:

- Available in sizes 1/4" through 2"
- Rated to 5000 psi working pressures
- Manufactured from hardened ASME SA564 Material
- Chrome ball bearings for long life
- Larger ball bearings for more bearing area
- Burnished barrel bores
- Viton™ seals standard
- Lower rotating torque
- Withstands heavy loads
- Absorbs torsional piping loads
- No snap ring to blow off
- Rebuilding kits available
- Swivel design prevents twisting of hose during operation

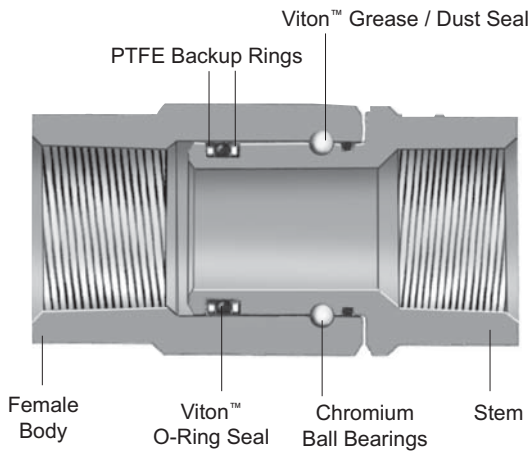


## NT803 Series Technical Data

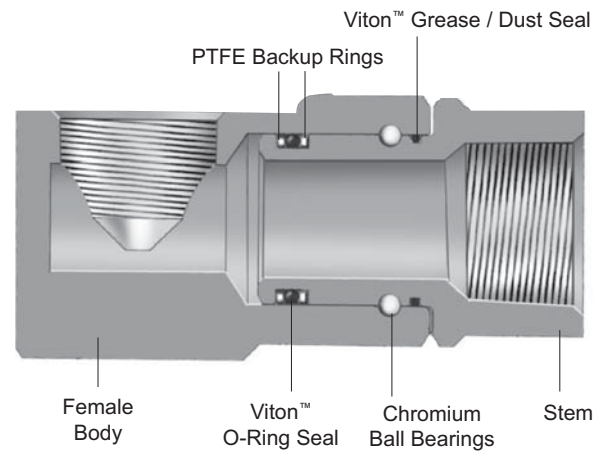
SIZE	A	B	THREAD T	THREAD T1	WRENCH FL	DIAMETER	DESIGN PRESS PSI @ 21°C
1/4"	2.572	1.720	1/4 - 18	1/4 - 18	1.000	1.170	4000
3/8"	2.835	1.850	3/8 - 18	3/8 - 18	1.250	1.420	4000
1/2"	2.835	1.850	1/2 - 14	1/2 - 14	1.375	1.545	4000
3/4"	2.835	1.850	3/4 - 14	3/4 - 14	1.625	1.795	3500
1"	3.660	2.480	1 - 1/2	1 - 1/2	2.000	2.125	3000
1 1/4"	4.025	2.685	1 1/4 - 11 1/2	1 1/4 - 11 1/2	2.375	2.500	3000
1 1/2"	4.700	3.290	1 1/2 - 11 1/2	1 1/2 - 11 1/2	2.500	2.625	2000
2"	5.200	3.800	2 - 11 1/2	2 - 11 1/2	3.000	3.250	2000



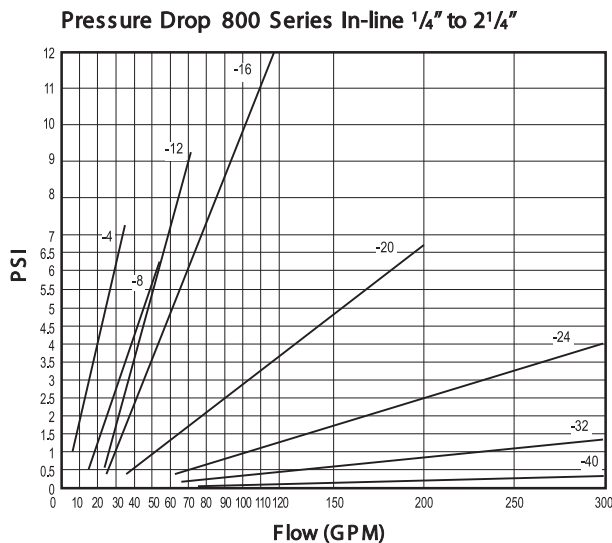
### Inline Super Swivel



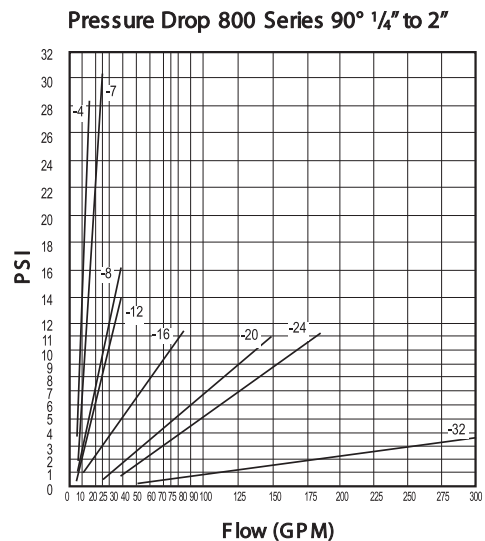
### 90° Super Swivel



## Flow Charts



Tests conducted with 150 SUS oil at 100°F with Female Pipe to Female Pipe (FPxFP)



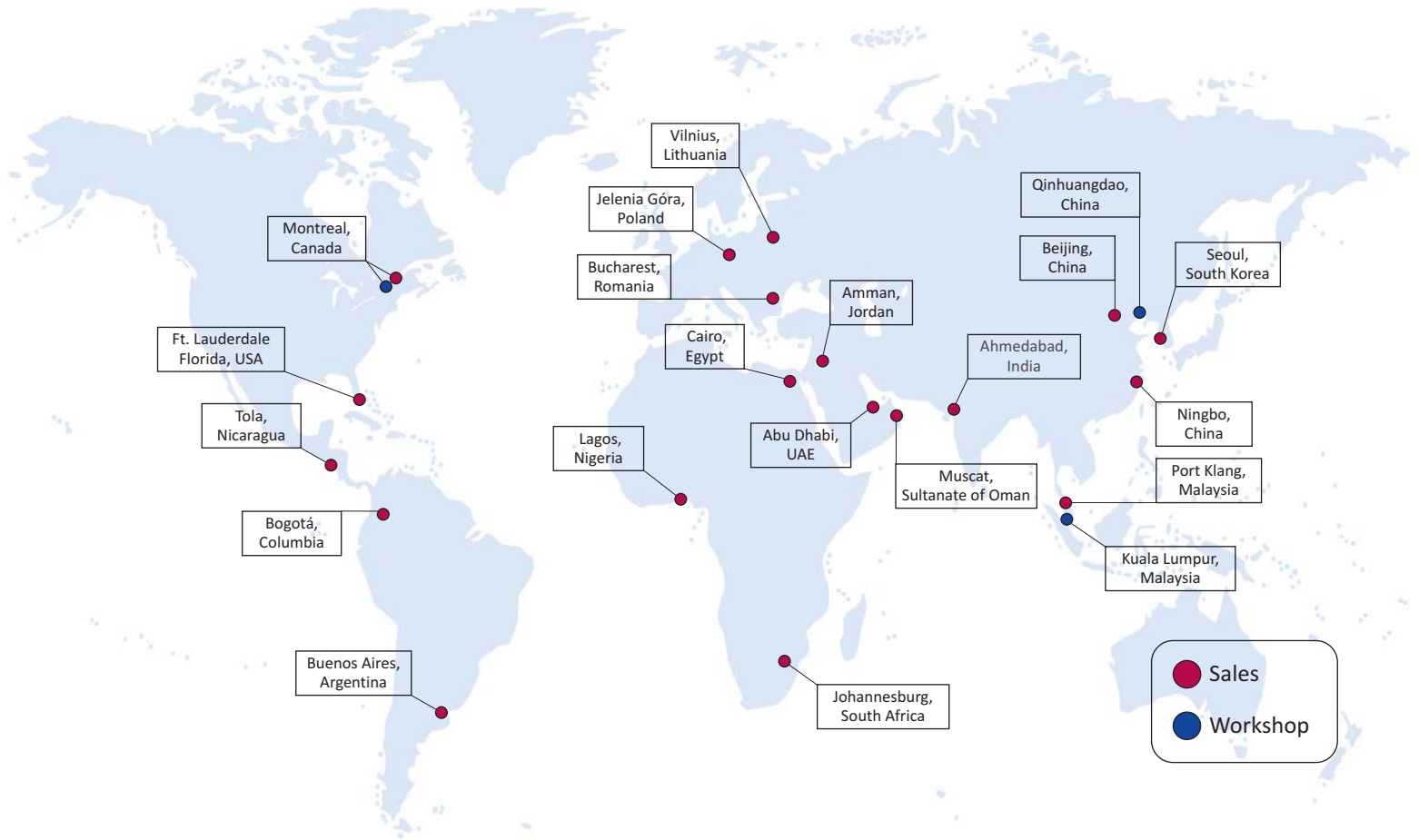
Tests conducted with 150 SUS oil at 100°F with Female Pipe to Female Pipe (FPxFP)

**THORBURN FLEX - Canada**  
 165 Oneida, Pointe-Claire, Quebec  
 Canada, H9R 1A9  
 Tel: +1-514-695-8710  
 Fax: +1-514-695-1321  
 sales@thorburnflex.com



ISCIR Romania | CNCAN Romania | EN 13480-2002 | HAF 604 China | TSG China  
 (CRN for all Canadian Provinces)

# Thorburn's Global Presence



www.thorburnflex.com